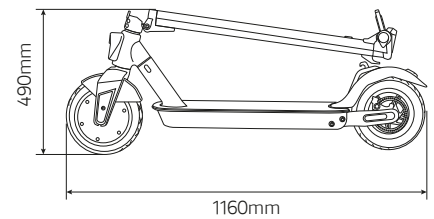
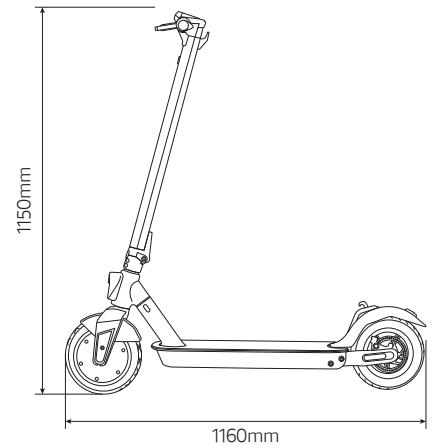


PRO-III PLUS

electric scooter

Download the app Ducati Urban e-Mobility for a better use of the product



10" Tubeless wheels



Wide LCD display 3.5"



Independent rear shock

Technical specifications

Product Sku: DU-MO-210005
Ean Code: 8052679450008

Basic info	
Frame material	magnesium alloy frame
Shock	rear
Speed	ECO: <= 6km/h D: <= 20km/h S: <= 25km/h (max speed)*
Maximum gradient	15%
Brakes	dual brake: front e-brake and rear disc brake
Power engine	350W
Tyre	10" tubeless front and rear
Low voltage protection	31V +/- 0.5V
Current limit	18A
Engine type	brushless
Max load	100kg
Safety information	14+ yo with the use of helmet and protection gears**. Consult the laws and regulations currently in force in your country.
Working Temperature	0°C / 45°C
Level of protection	IPX4
Charging time	about 5/6 hours
Autonomy	up to 25km (subject to be variable by rider weight, road condition, temperature etc.)

Electric system	
Engine	350W Brushless
Brake	front electric brake
Display	3.5" LCD display
Battery	36V, 7.8Ah, 280Wh
Lights	LED front and rear lights
Charger	EU Standard DC 2.1 Charger, 42V 2A
Bluetooth	Connection through user app

Dimensions and Weights	
Net weight	15kg
Gross weight	18kg
Unit size	1160 x 190 x 1150mm
Folding size	1160 x 190 x 490mm
Carton size	1195 x 190 x 510mm

*In Switzerland, under the current legislation the allowed speed levels are 6-15-20km/h. **In Italy this subject is currently disciplined by the law L 27/12/2019 N.160